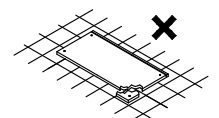
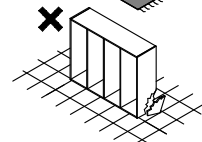
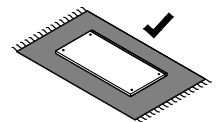
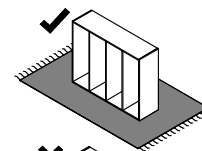
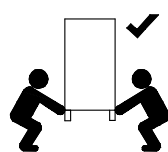
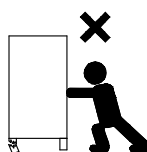
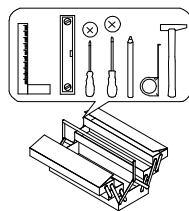
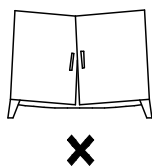
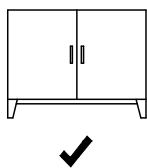
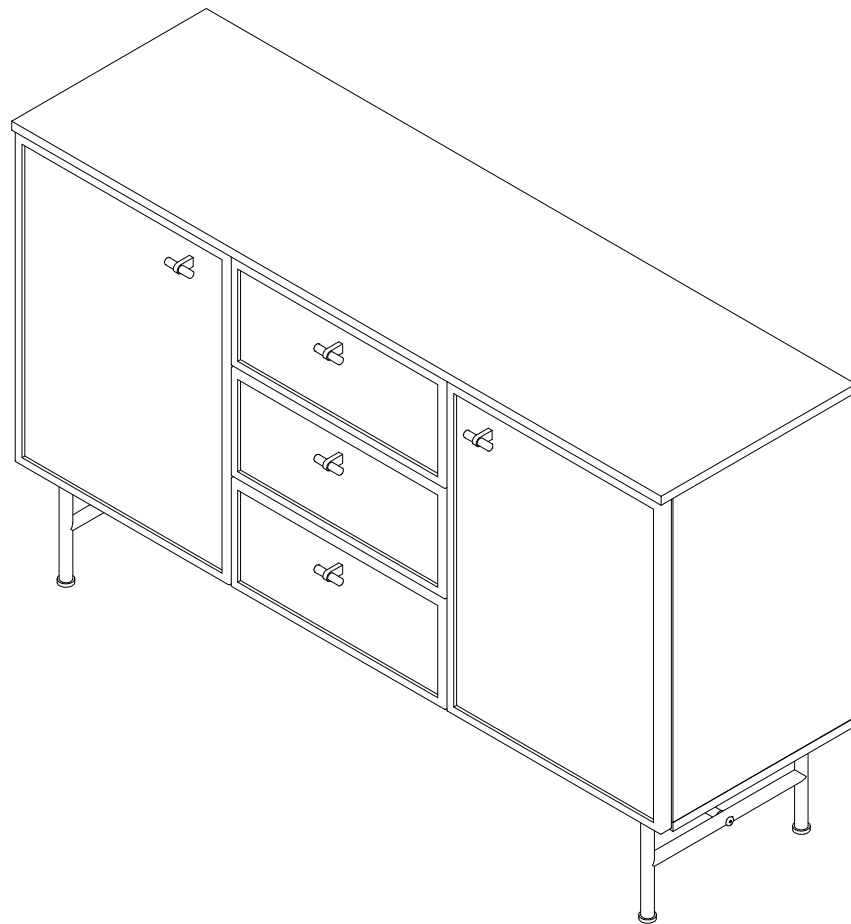
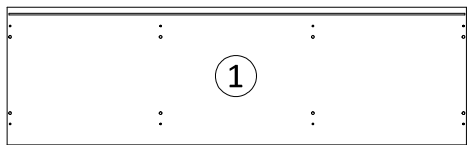


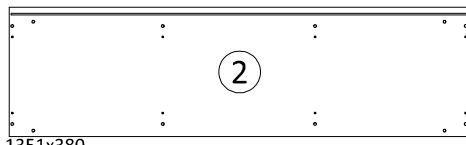
ELORA

R-8

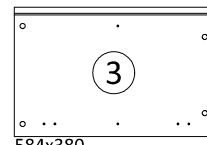




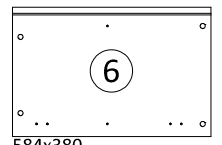
1351x405



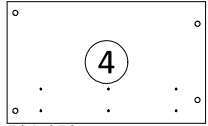
1351x380



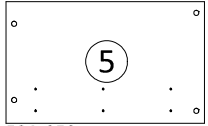
584x380



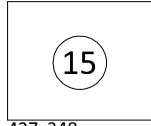
584x380



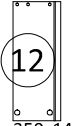
584x358



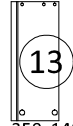
584x358



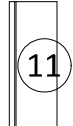
427x348



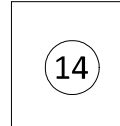
350x140



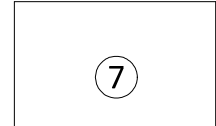
350x140



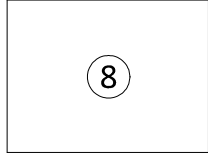
374x140



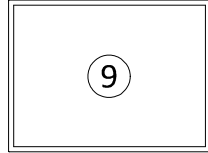
387x346



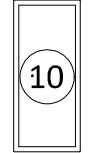
592x439



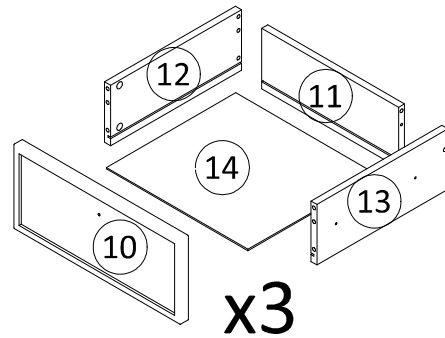
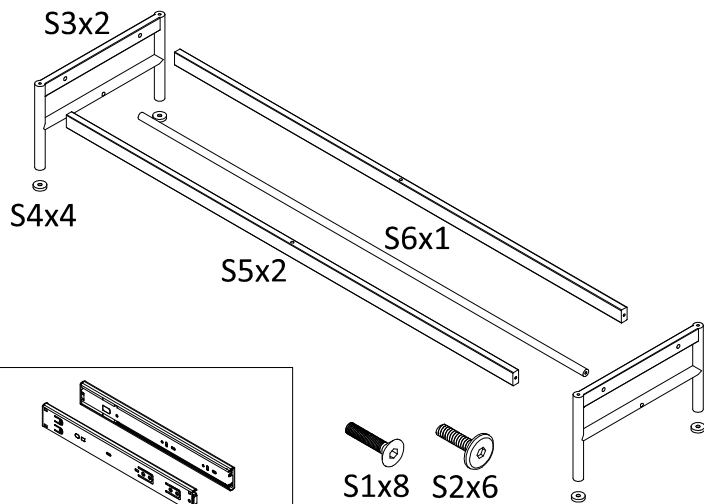
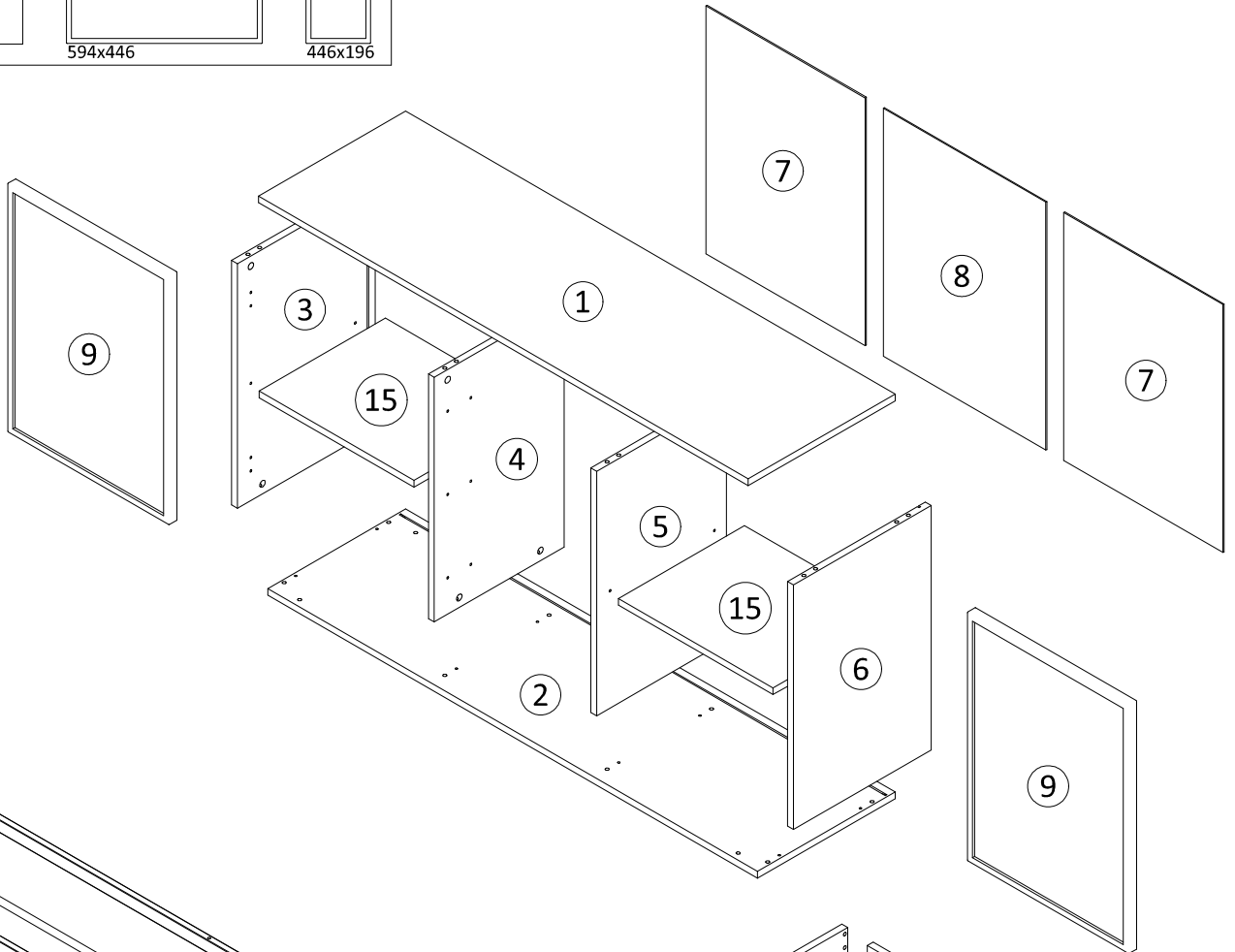
592x448



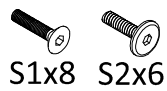
594x446



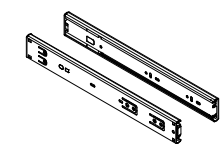
446x196







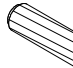

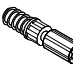
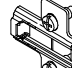



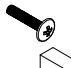


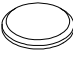



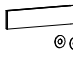
x3



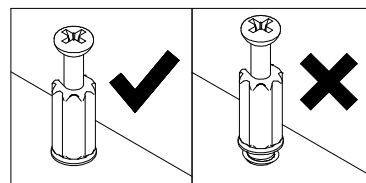
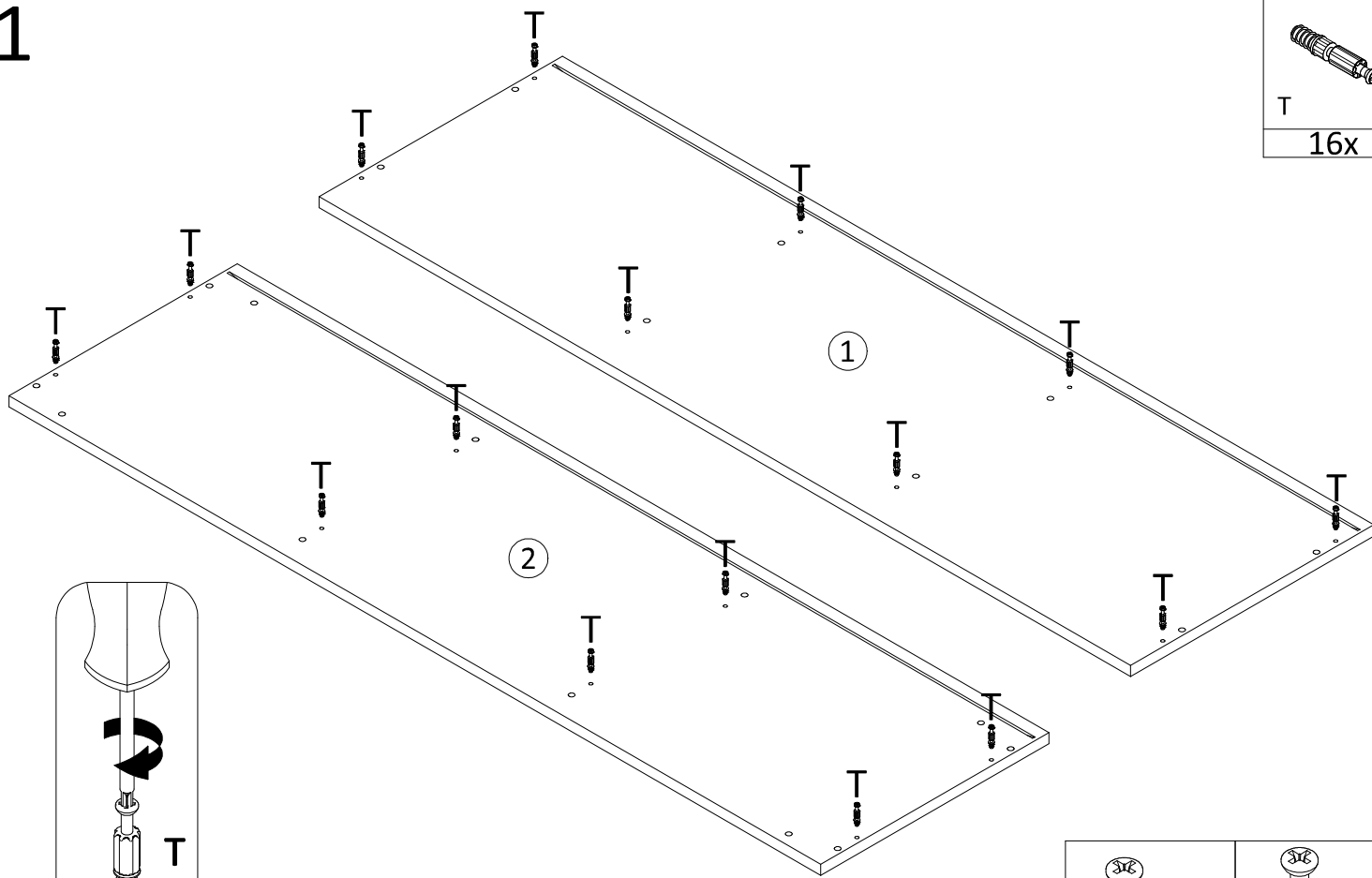
S1x8 S2x6



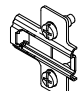


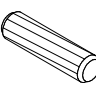
3x PK-L-H45-350-B

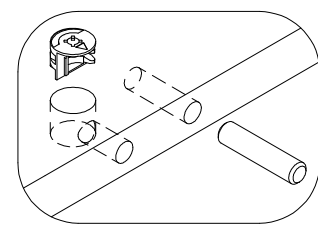
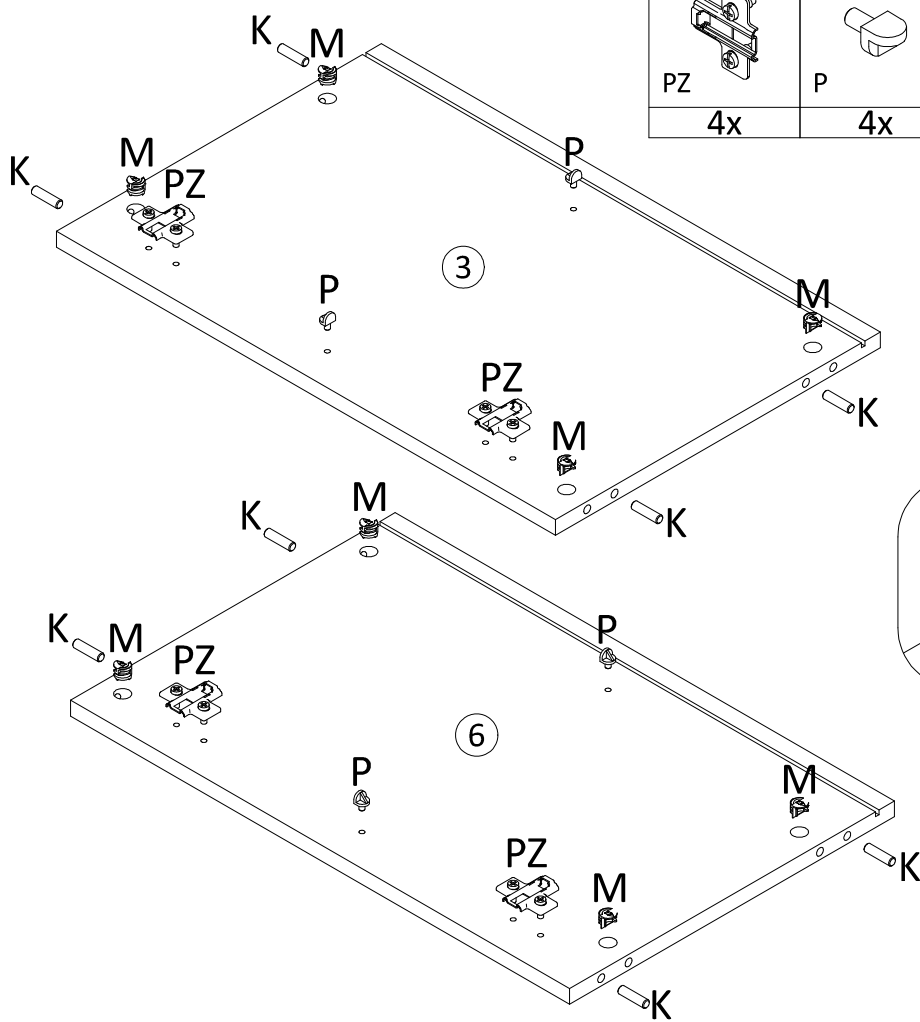
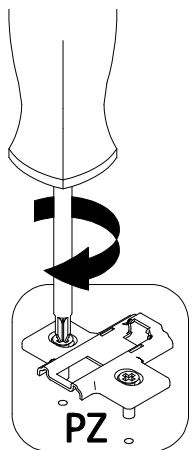
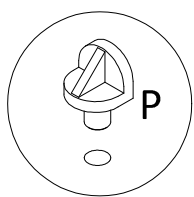
 W1	 W2	 W7	 KF	 K	 M	 T	 PZ	 Z1		
12x	20x	2x	6x	34x	34x	28x	4x	4x		
 E2	 E1	 U	 KL	 P	 ZM	 ZK	 PM	 S	 PS	
12x	12x	5x	1x	8x	28x	4x	12x	10x	1x	

1

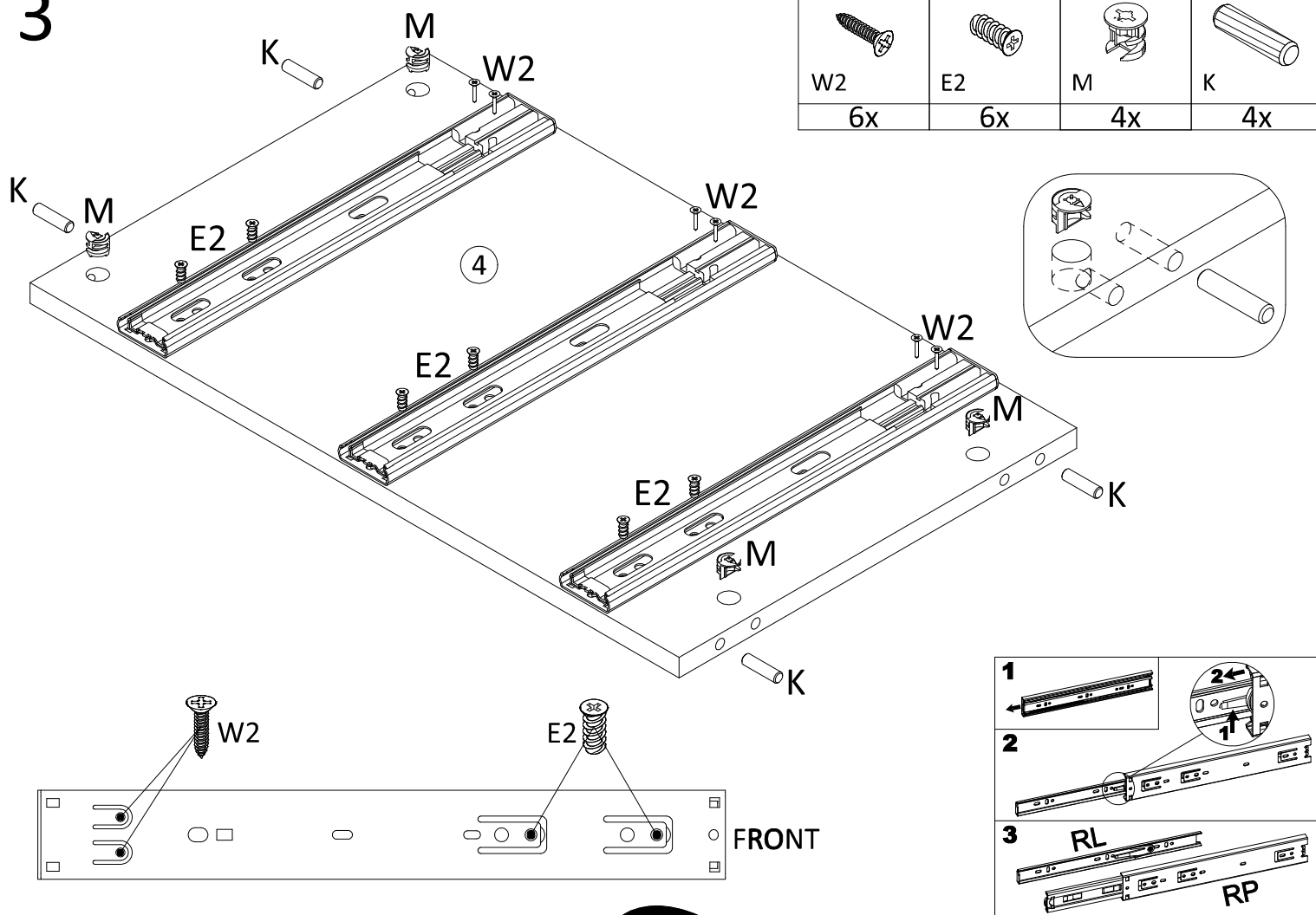


2

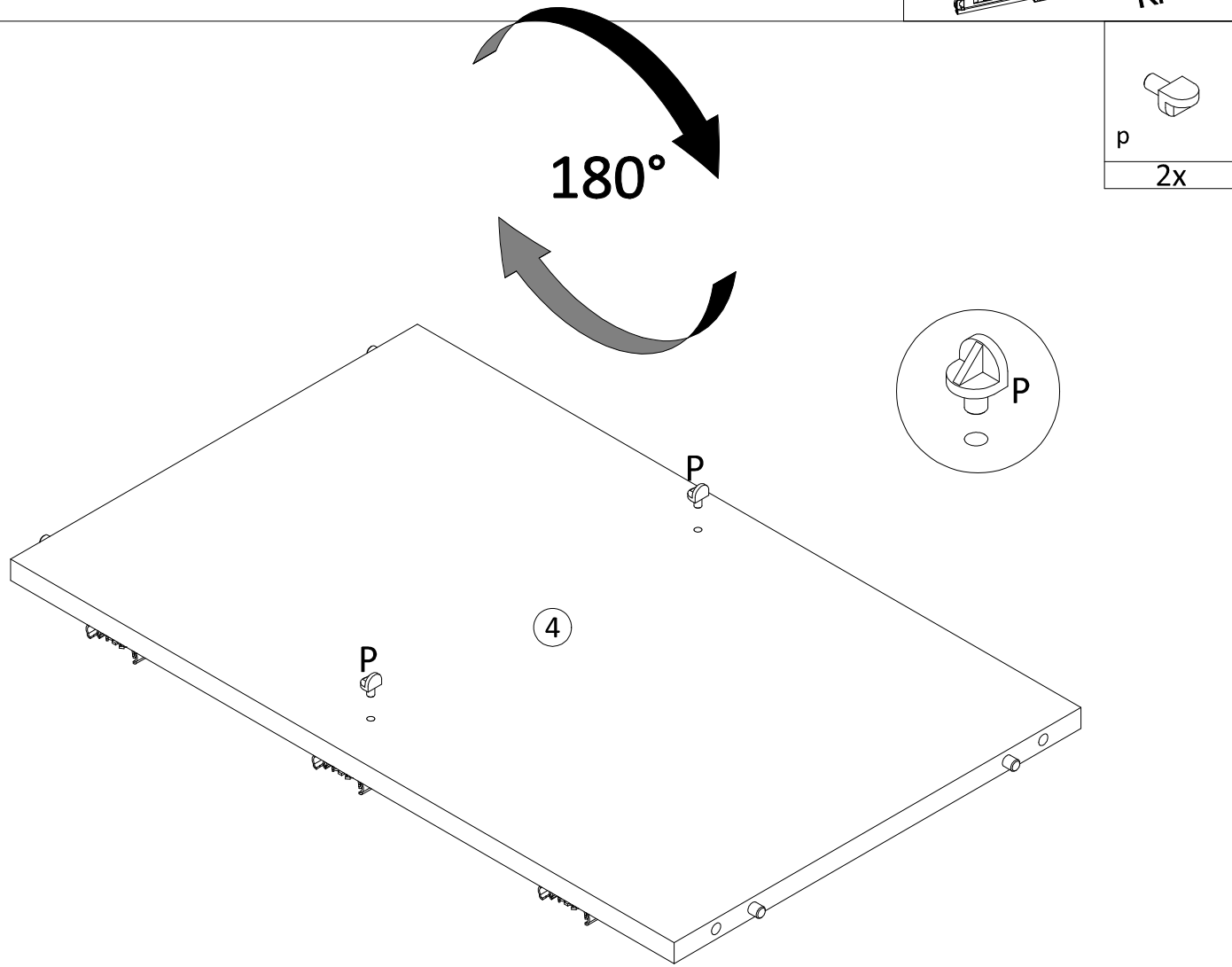
			
PZ 4x	P 4x	M 8x	K 8x



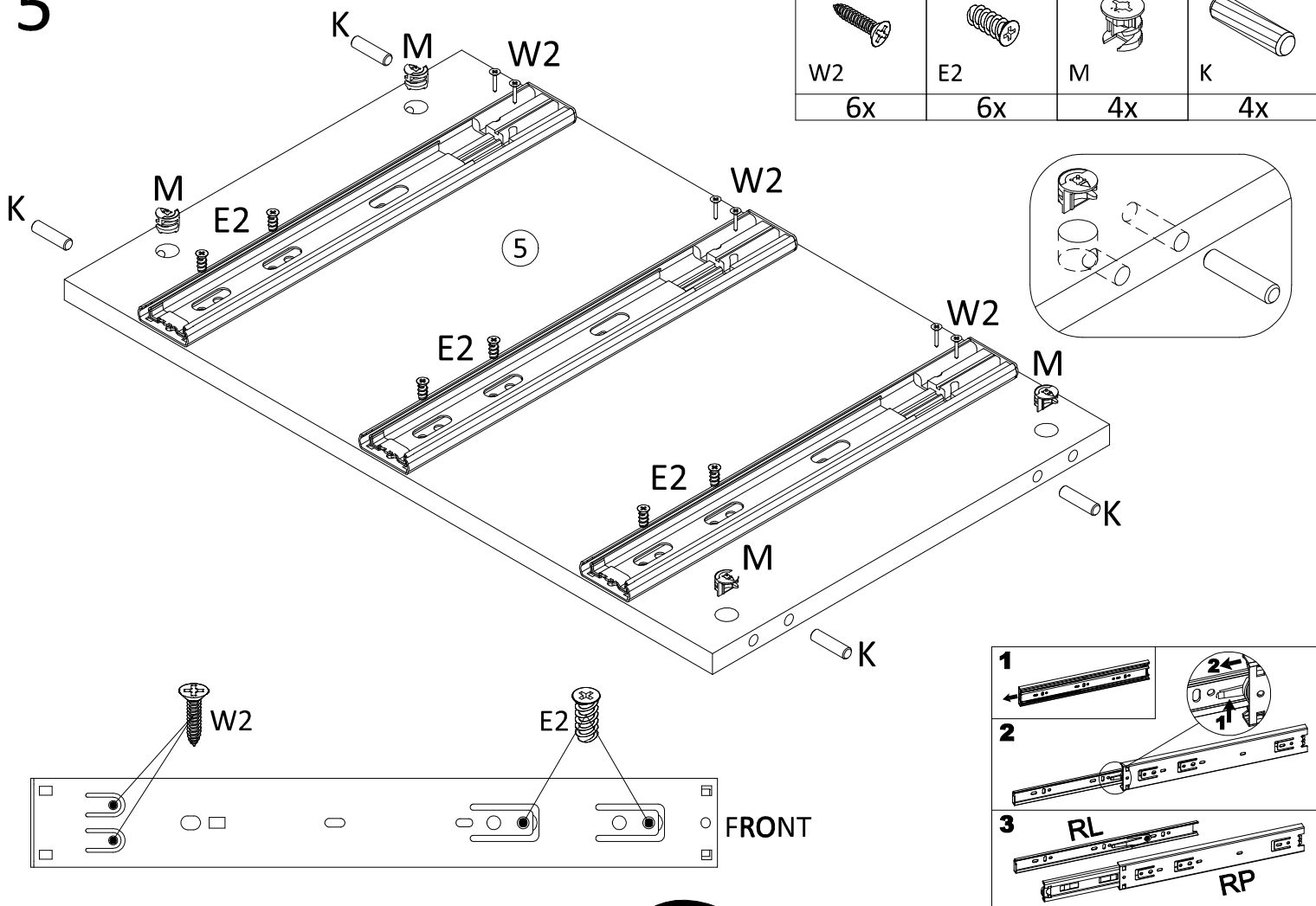
3



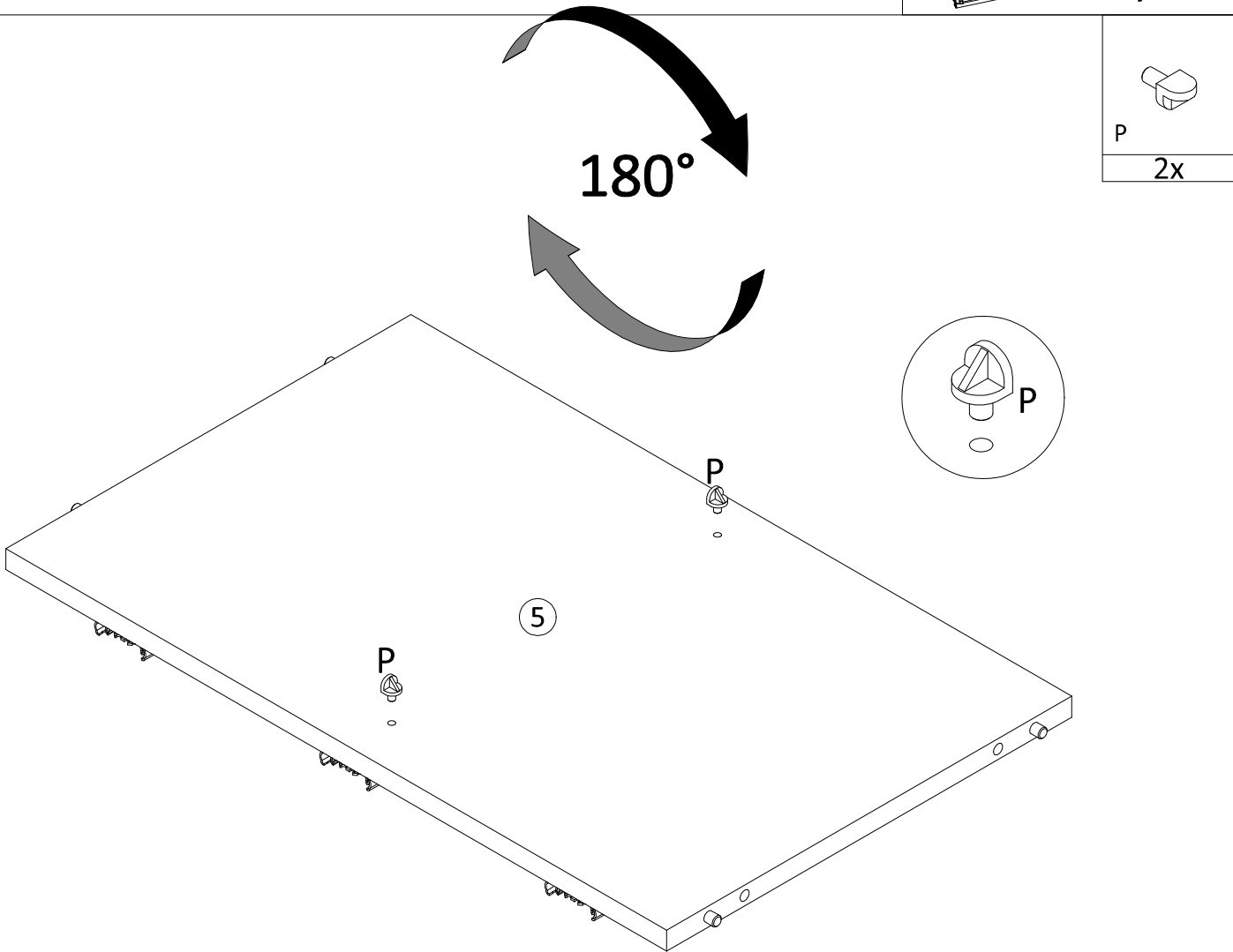
4



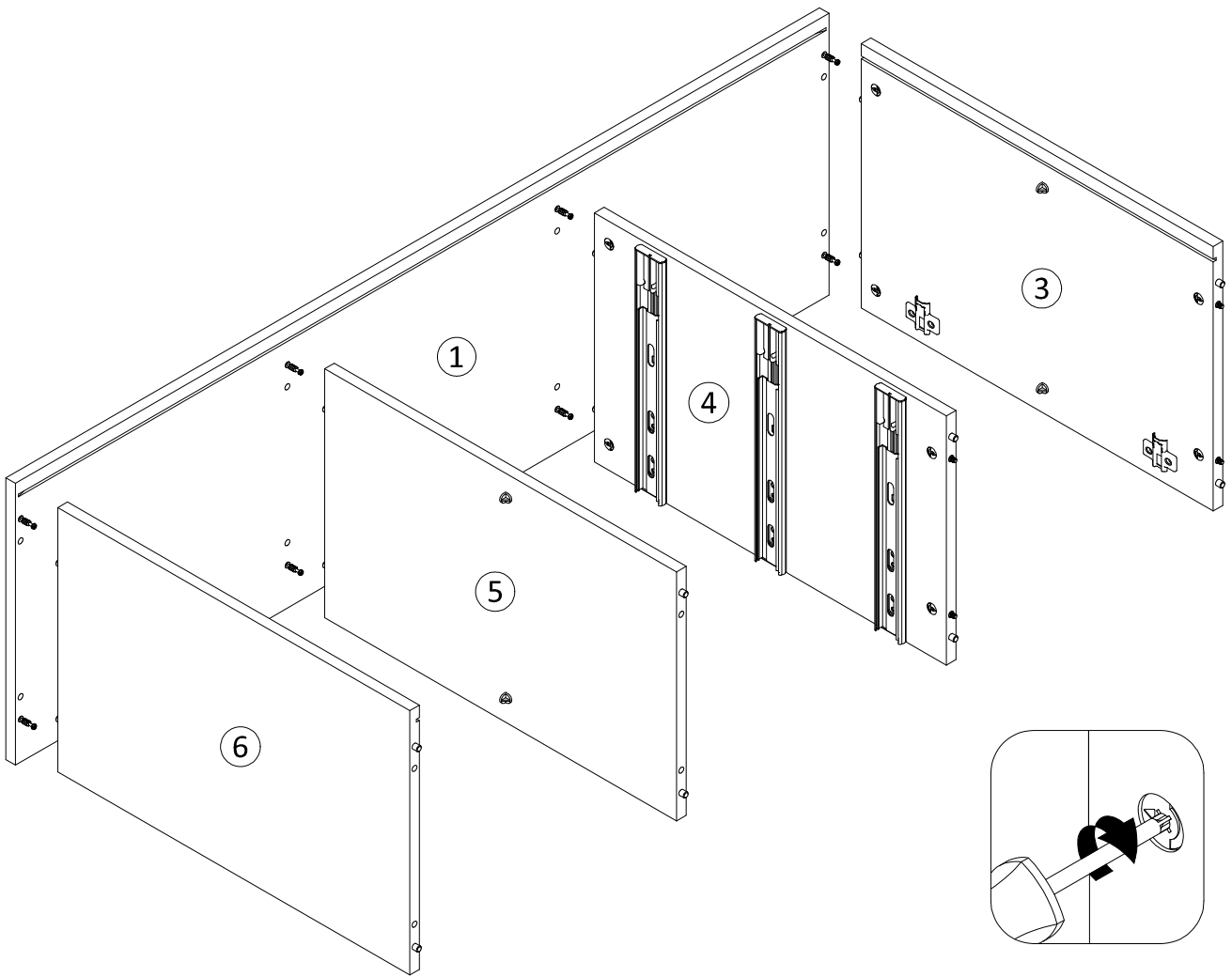
5



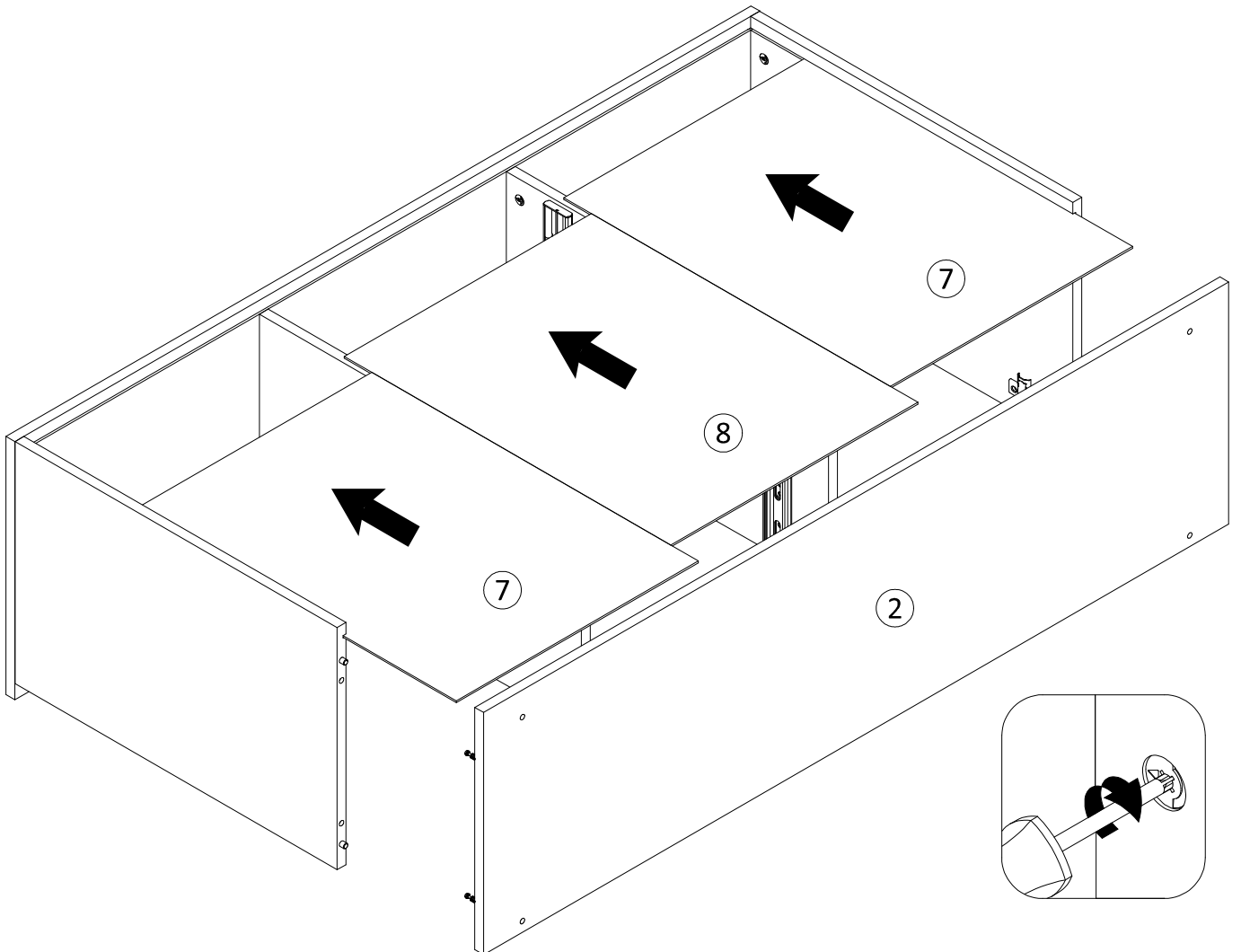
6



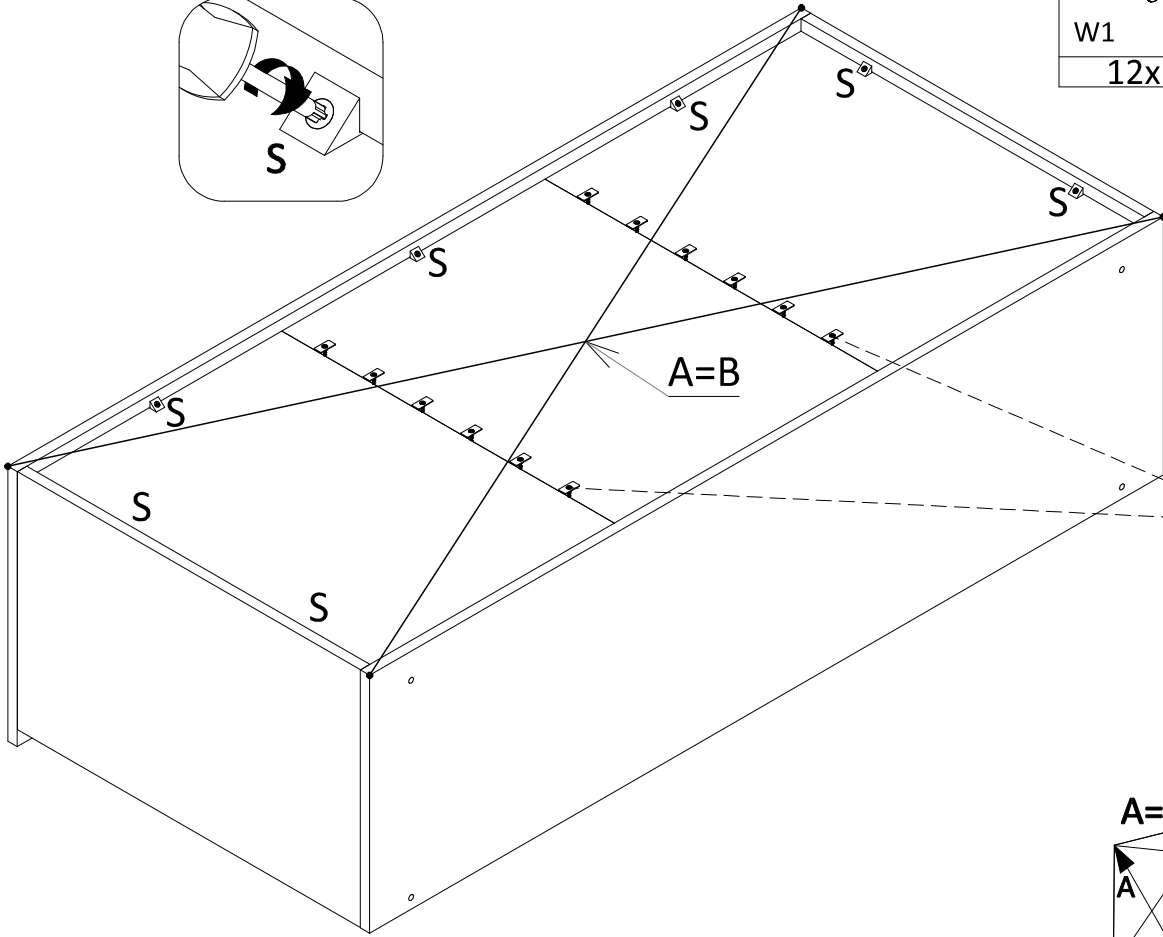
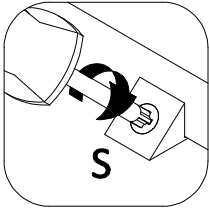
7



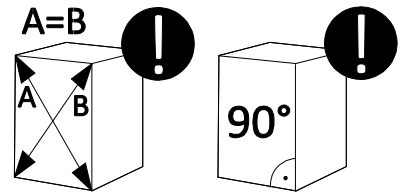
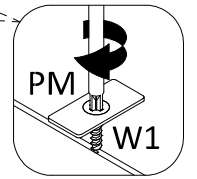
8



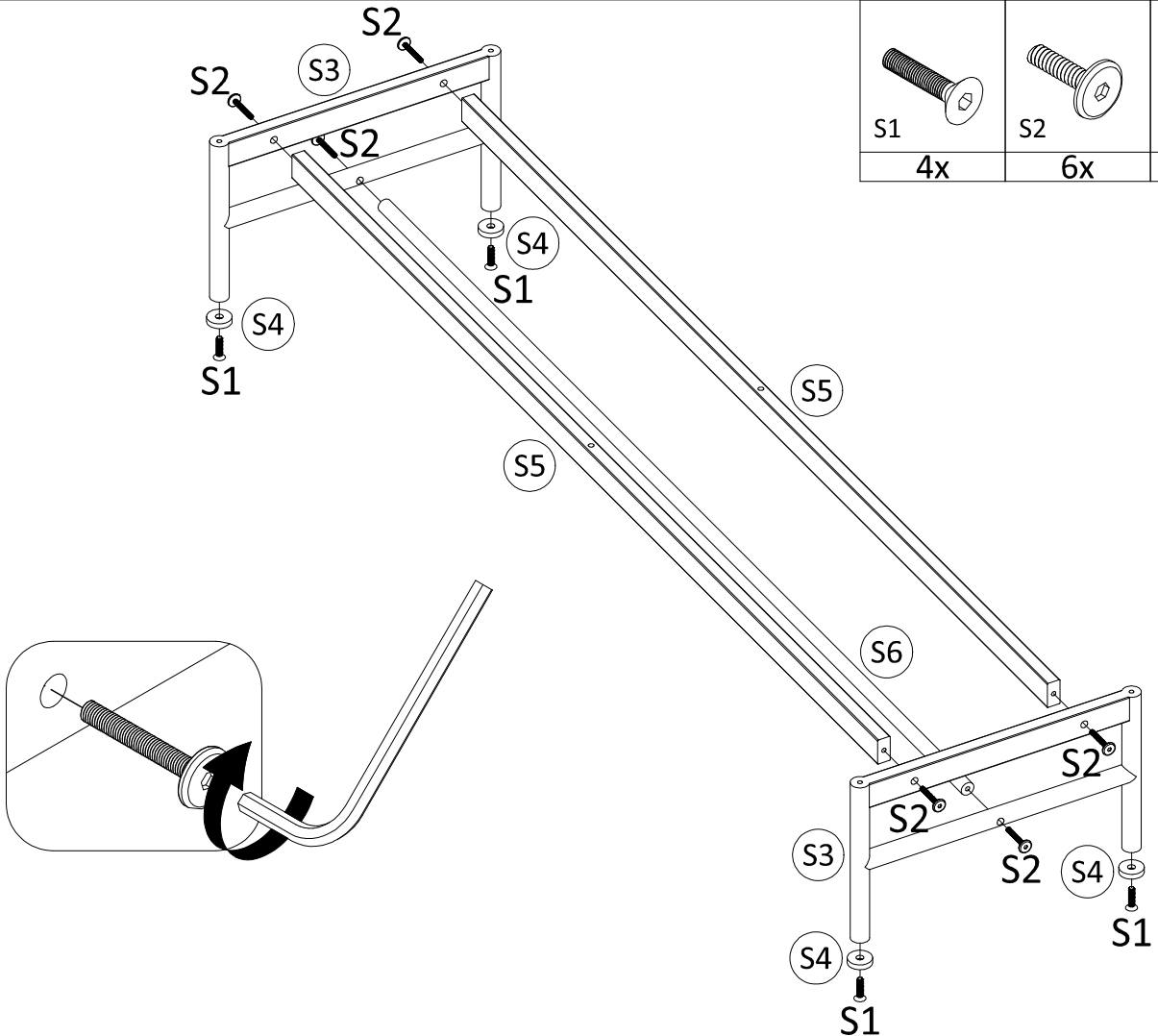
9



W1	PM	S
12x	12x	10x

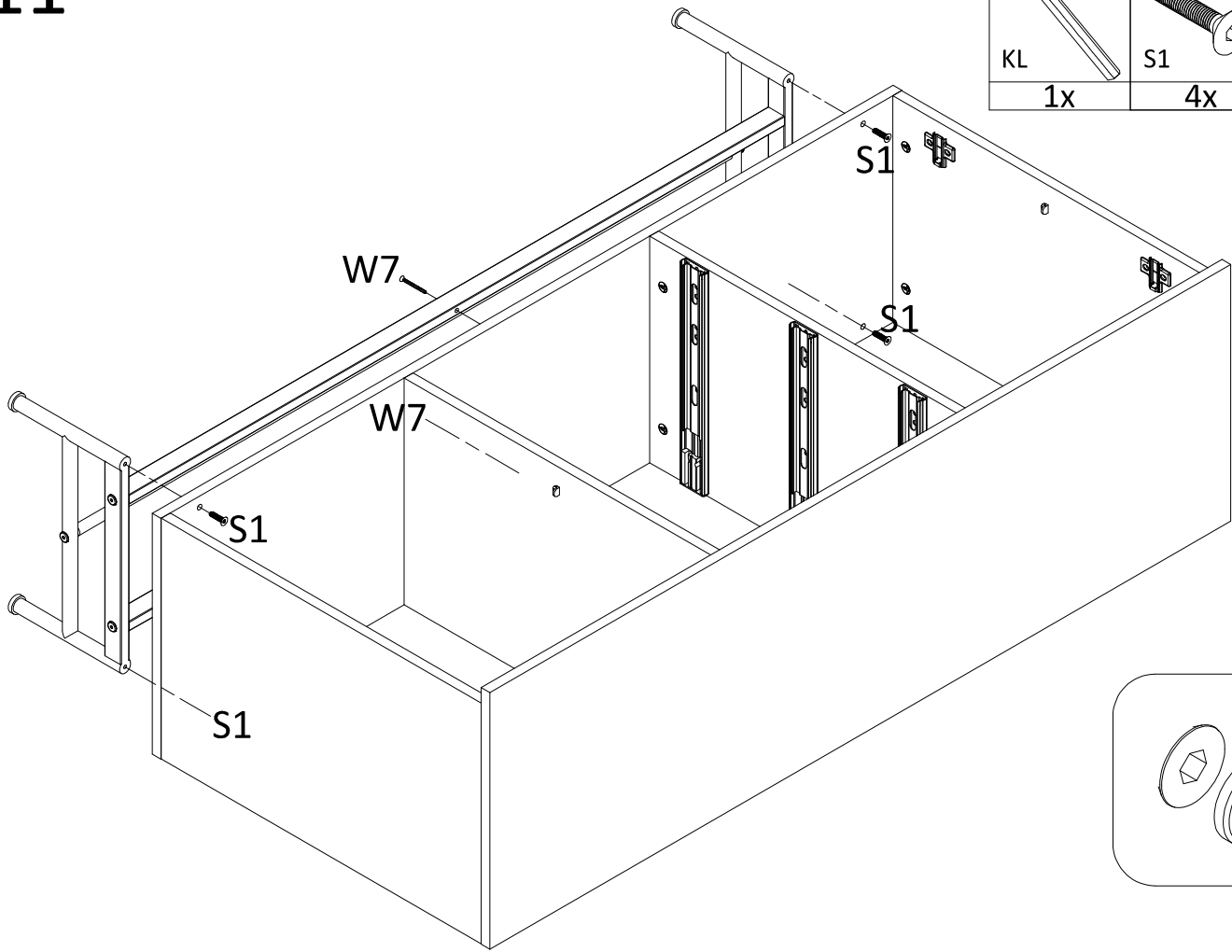


10

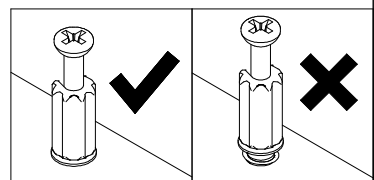
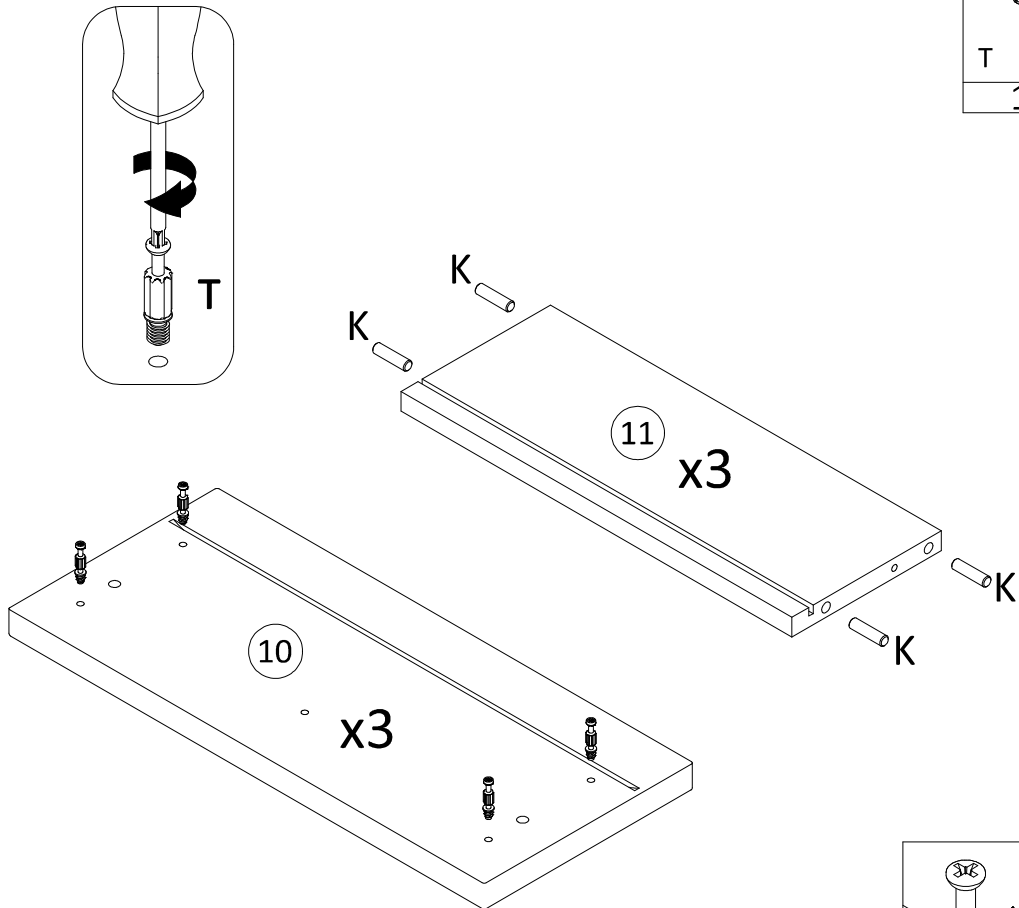


S1	S2	KL
4x	6x	1x

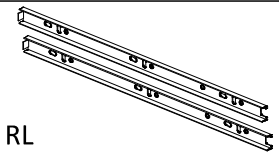


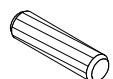
11

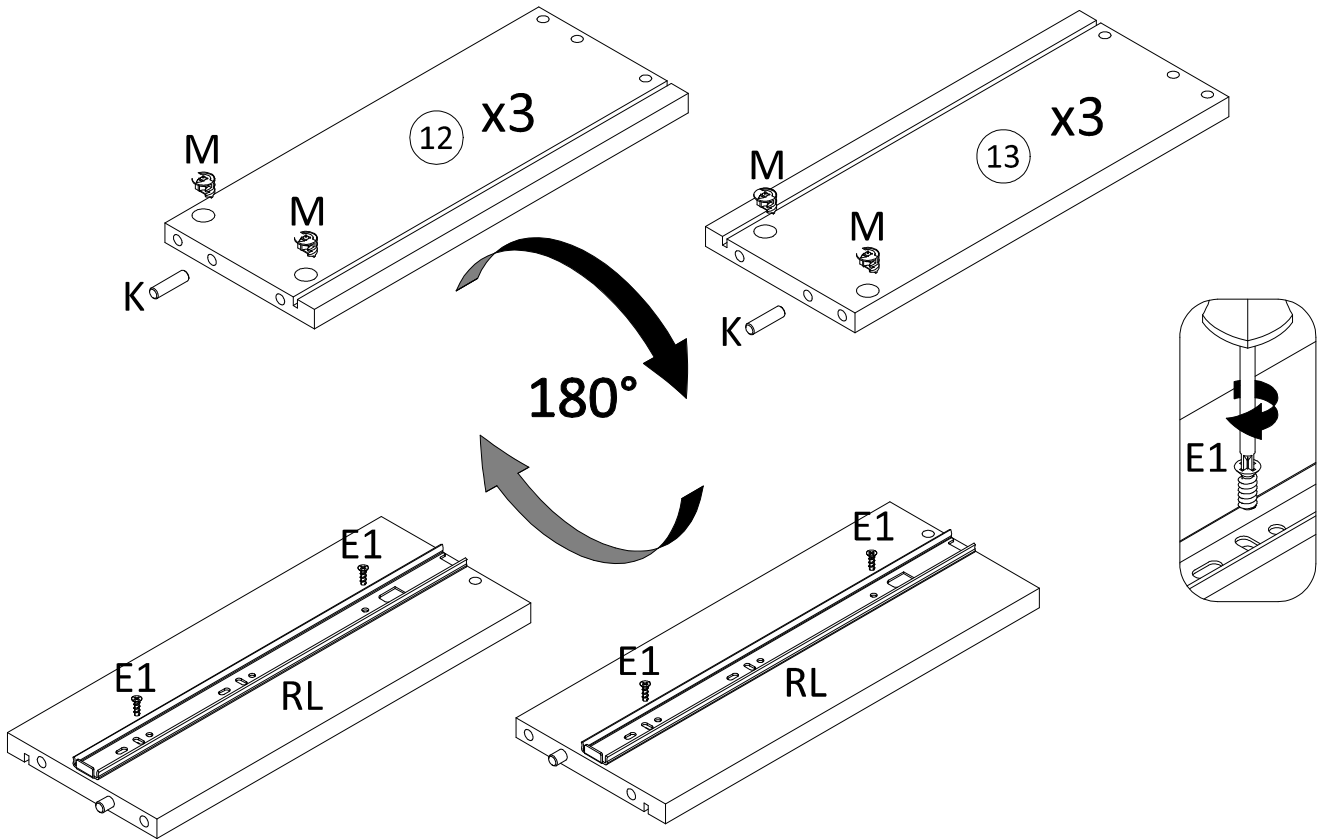


12

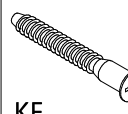
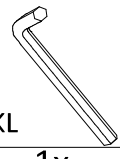


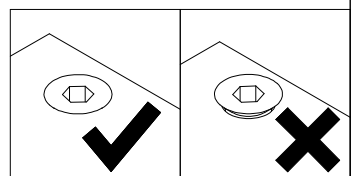
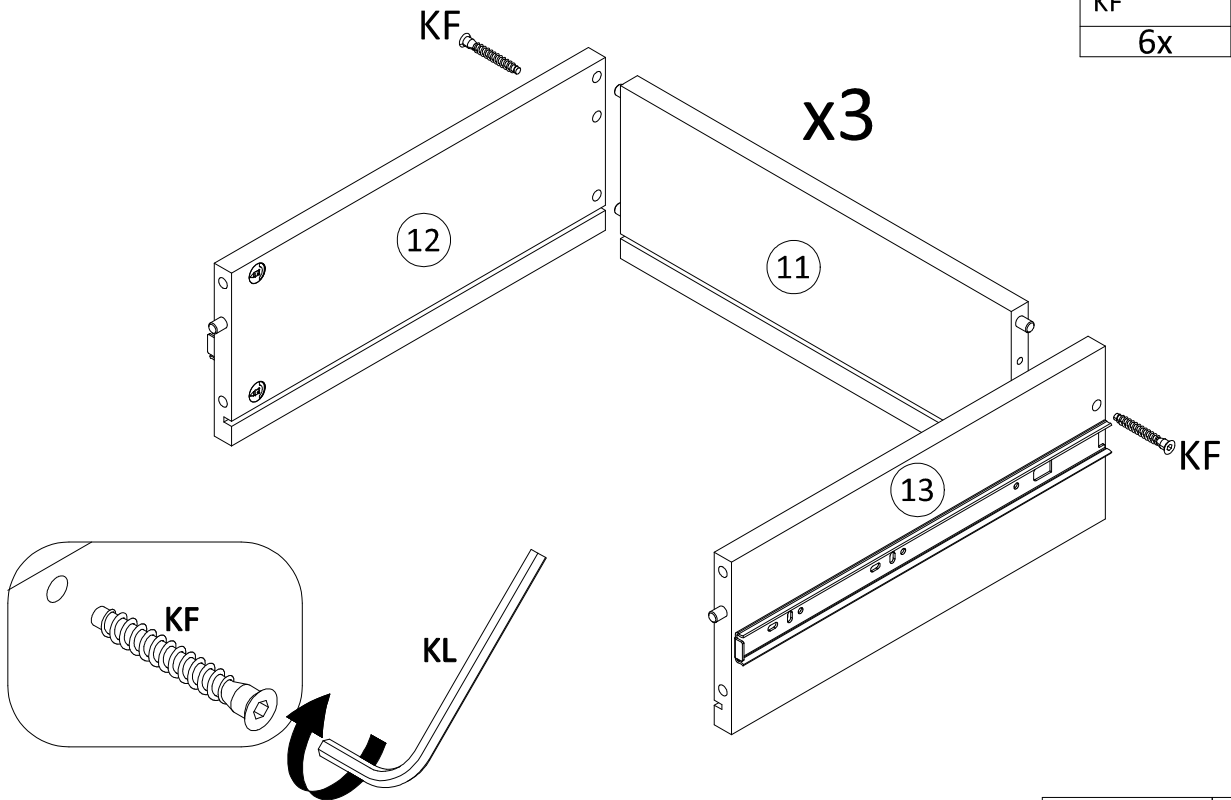
13

 RL	 E1	 M	 K
3x	12x	12x	6x

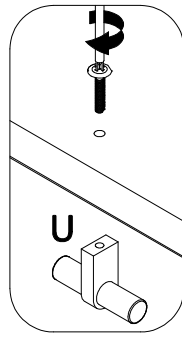
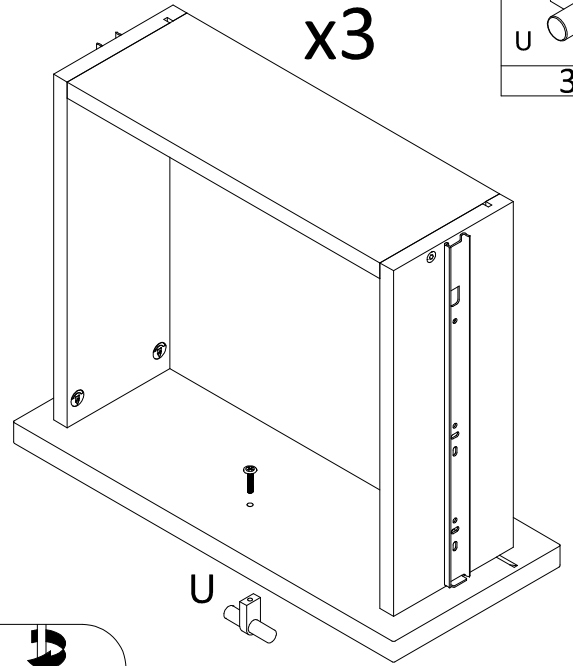
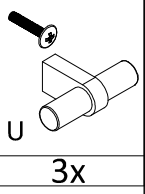
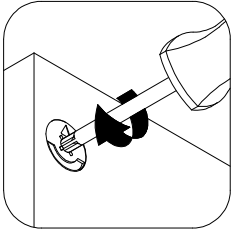
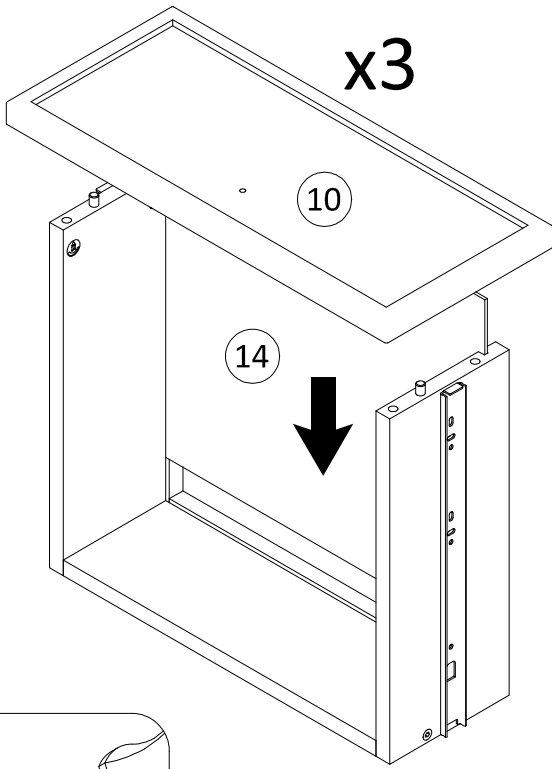


14

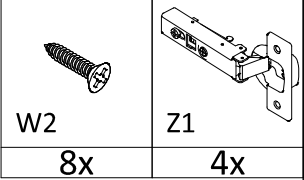
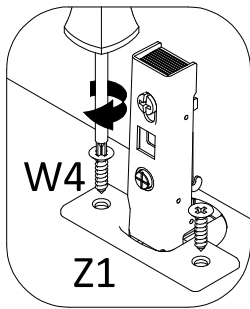
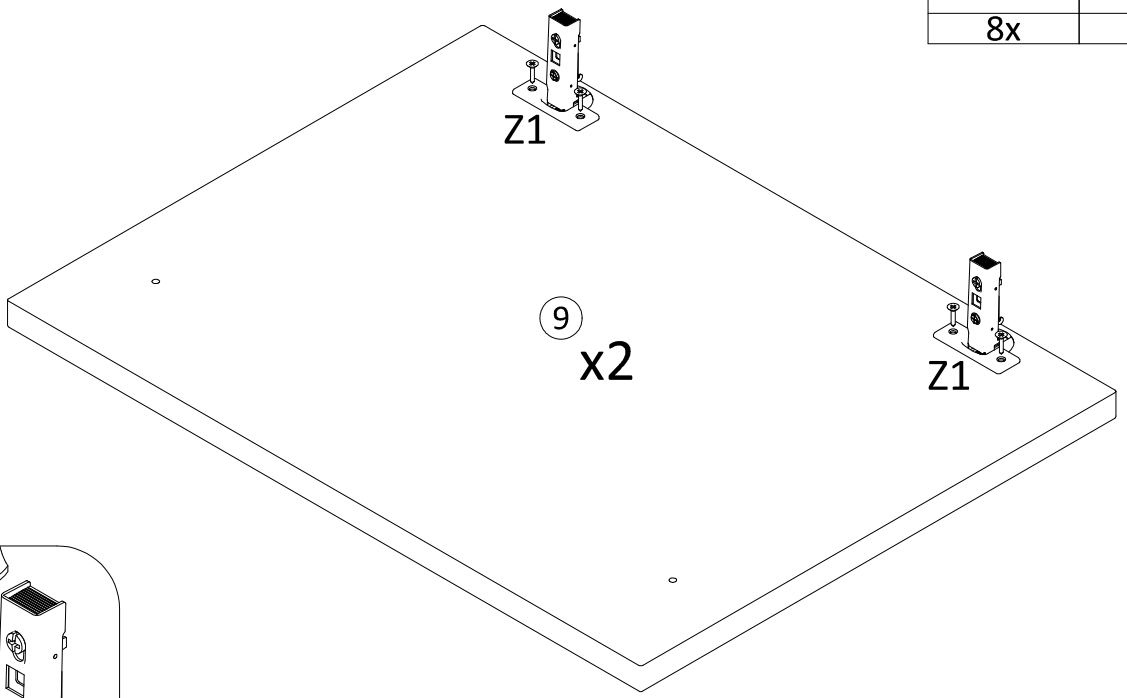
 KF	 KL
6x	1x



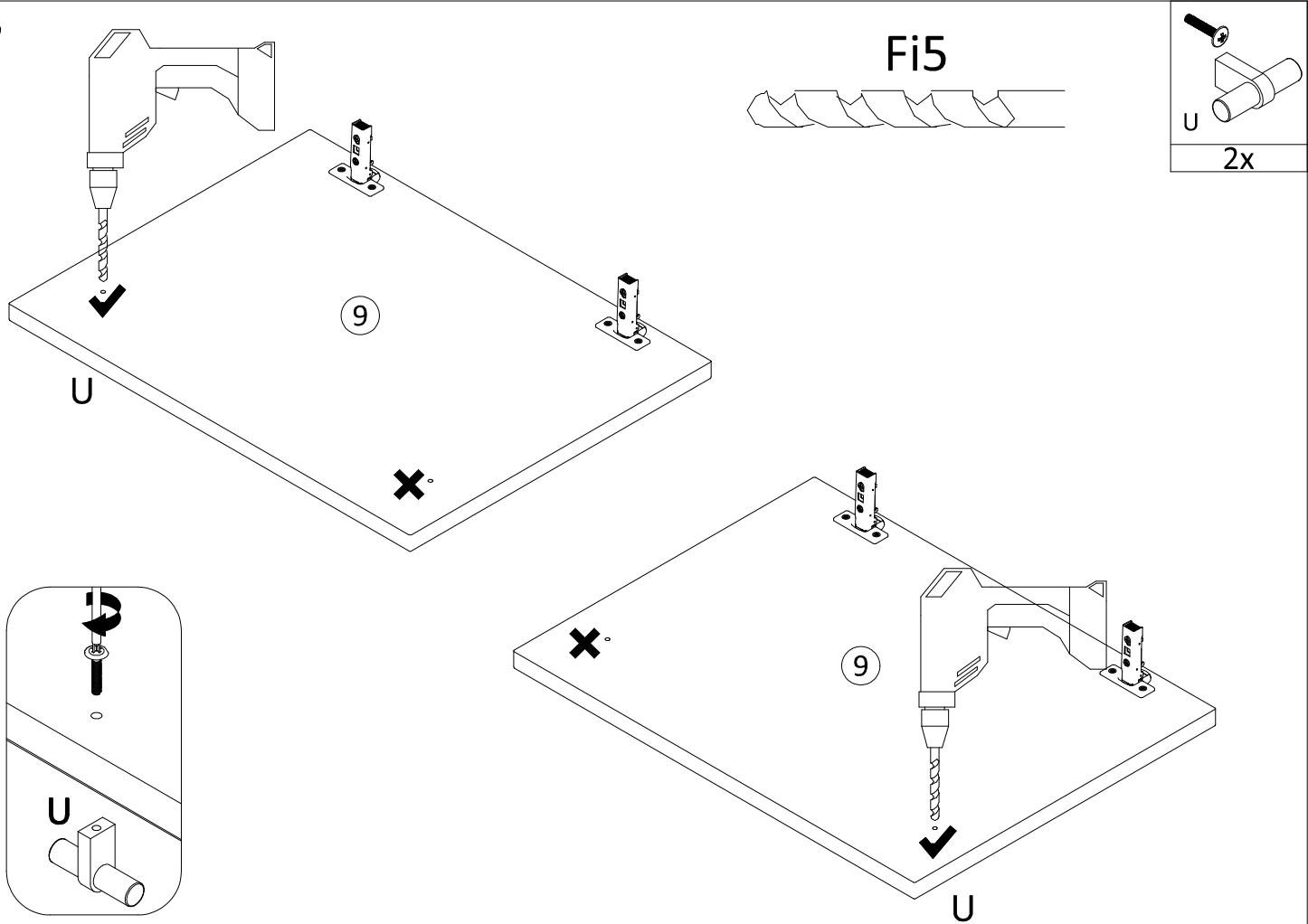
15



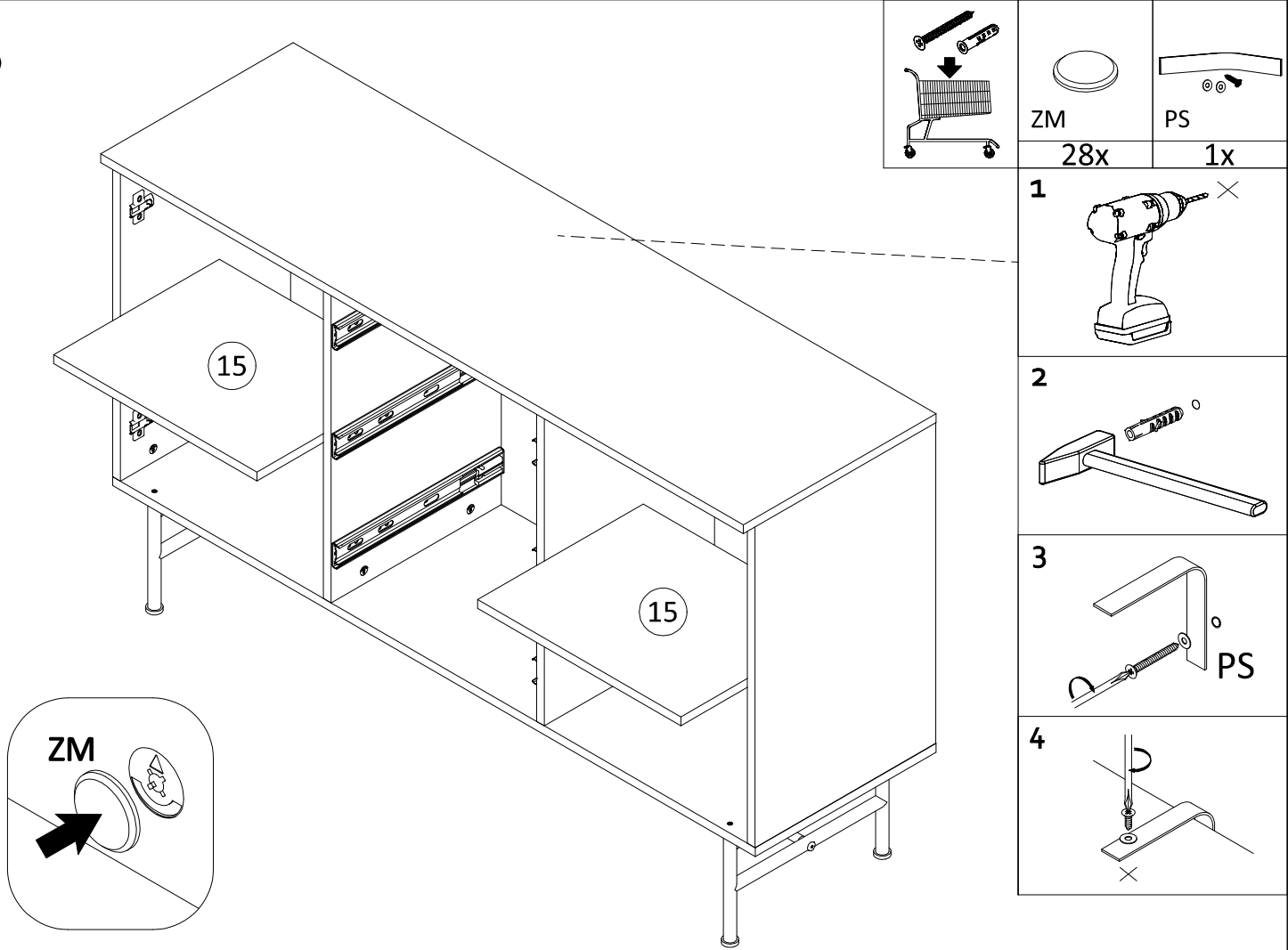
16



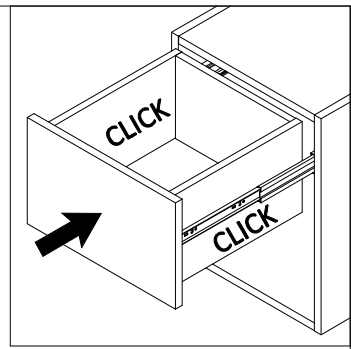
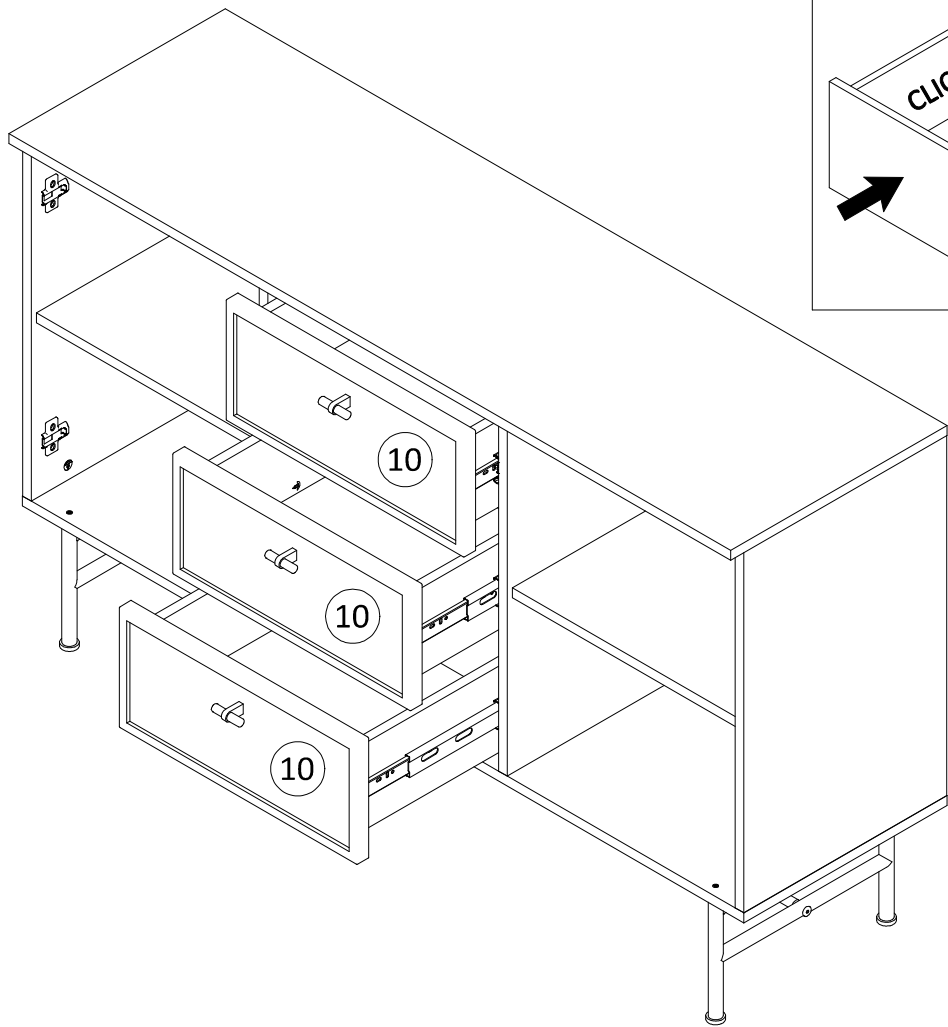
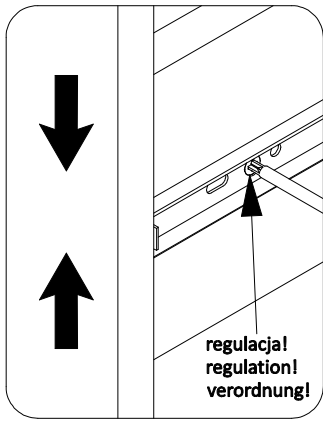
17



18



19



20

